

SavvyLevel Positioning Guide

Before you install SavvyLevel, please take the time to read and understand this guide.

This guide makes numerous references to caravan; however, this actually refers to any type of caravan, camper, trailer or motorhome intended to have a SavvyLevel installed.

STEP 1

CHOOSING A SUITABLE LOCATION

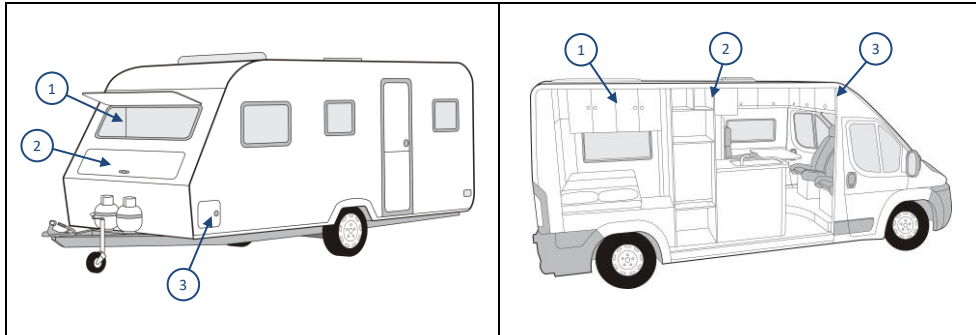


Figure 1

SavvyLevel is a Bluetooth® device that is mounted inside your caravan. It needs to communicate to your Smartphone device, typically used inside your tow vehicle (or motorhome). In order to get the best performance out of your SavvyLevel you will need to mount the device where there are minimal metallic obstructions between the device and your Smartphone. A poor location could result in poor Bluetooth connectivity.

Since there are many different types of caravans, we can give no definitive statements regarding the best location to install your device. Instead, we can only provide general guidelines.

To get the best performance from your SavvyLevel device you will first need to conduct some simple practical tests. We have included a 9v battery test lead for your convenience, to help facilitate with these tests.

POINTS TO CONSIDER

- **Do not** mount the device externally where it is exposed to the weather, unless it is mounted with an optional external mounting box.
- **Do not** mount the device in wet areas.
- **Do not** mount the device inside sealed metallic enclosures, or where there are significant amounts of metallic obstructions that will limit Bluetooth signal range.
- **Do** mount the device as close to the front of the caravan as possible.

- **Do** mount the device where it is concealed but is readily accessible if need be (e.g. inside a cupboard or something similar).
- **Do** mount the device where it can be accessible to caravan battery supply (12v typical, however will accept a supply from 7v to 30v).
- **Do** mount the device where there are minimal metallic obstructions between the device and the interior of the intended tow vehicle (if you use your Smartphone for connection in the tow vehicle). This includes caravans that are constructed with aluminium cladding at the front. If you have Bluetooth connection issues, you may need to consider the optional external mounting box.

TESTING

The best way to test your SavvyLevel is to simulate a caravan towing situation.

1. Make sure you have the latest SavvyLevel app installed on your Smartphone.
2. Use the provided 9v battery test lead and power your SavvyLevel.
3. Test that you can connect to the SavvyLevel device. Refer to the User Manual for more details on how to use the SavvyLevel.
4. Place your caravan in an open area, with your tow vehicle located at the front of the caravan.
5. With the Smartphone located inside your tow vehicle, place the SavvyLevel device at various locations inside your caravan to determine how best to install your device.

You may want to try an overhead cupboard at the front. See *Figure 1 -1*. Or if you have a front equipment boot or a side tunnel hatch, these are generally good locations to try. See *Figure 1 -2 & 3*.

When performing these tests, make sure that the SavvyLevel device is orientated correctly. Please refer to the guidelines illustrated in 'Step 2', see overleaf.

STEP 2

MOUNTING AND POWERING SAVVYLEVEL

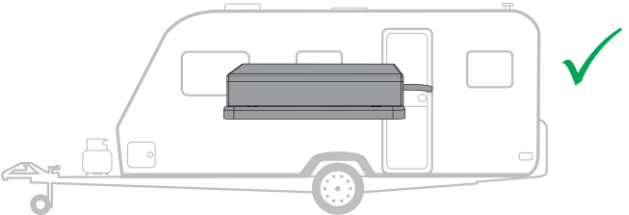
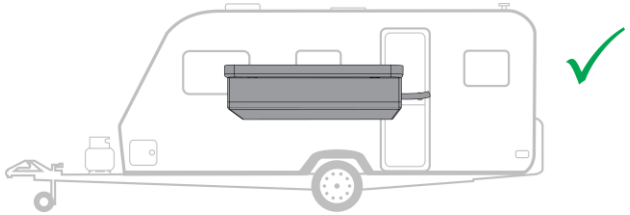
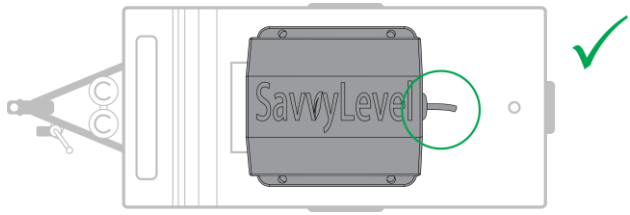
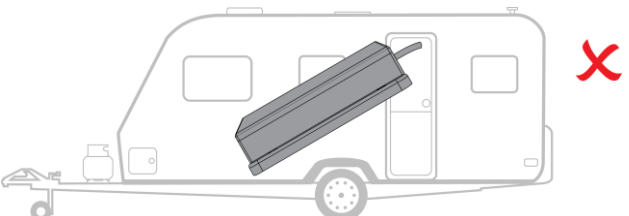
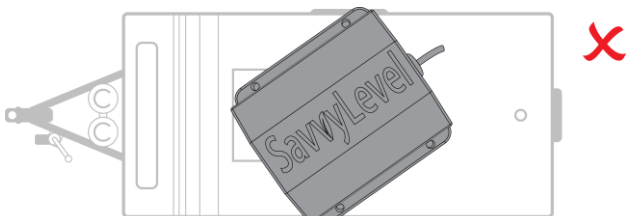
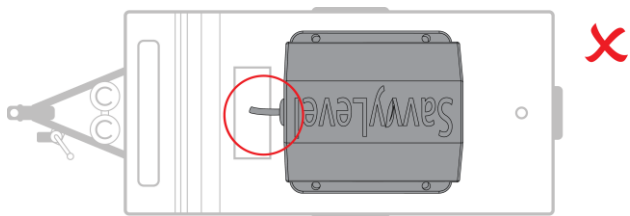
Once you have found a suitable location you will need to mount SavvyLevel. Please follow mounting guidelines illustrated overleaf.

Connect power leads to a suitable 12v DC battery voltage source (see wiring application note). The SavvyLevel device is internally fused and utilises a highly efficient power management system that can operate on a wide range of voltages (7v to 30v). When connected to a 12v supply, the SavvyLevel only draws a tiny amount of current (less than 12mA).

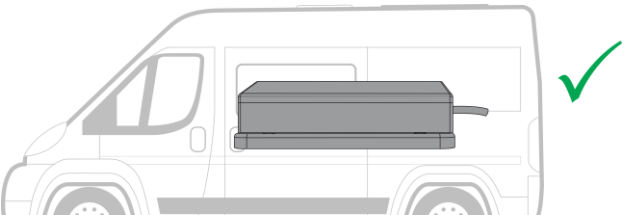
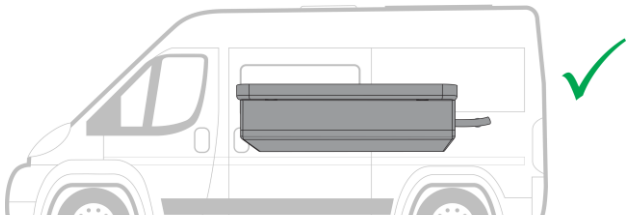

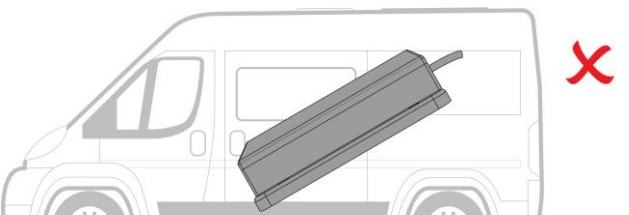

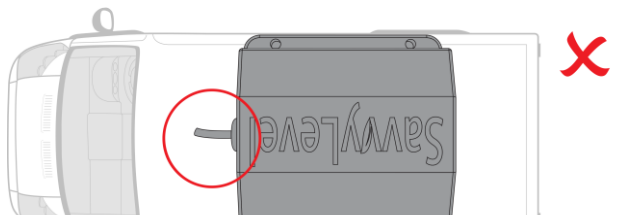
MOUNTING GUIDELINES

When mounting SavvyLevel make sure that it complies with the illustrations overleaf:

For Caravan/Campers

| | | |
|--|---|---|
|  <p>Can be mounted face up (floor mount) and approximately level.</p> |  <p>Can be mounted face down (ceiling mount) and approximately level.</p> |  <p>Mount parallel with caravan and with power lead extending to the back.</p> |
|  <p>Cannot be mounted at an angle.</p> |  <p>Cannot be mounted at an angle.</p> |  <p>Cannot be mounted with power lead extending to the front.</p> |

For Motorhomes

| | | |
|---|--|--|
|  <p>Can be mounted face up (floor mount) and approximately level.</p> |  <p>Can be mounted face down (ceiling mount) and approximately level.</p> |  <p>Mount parallel with motorhome and with power lead extending to the back.</p> |
|  <p>Cannot be mounted at an angle.</p> |  <p>Cannot be mounted at an angle.</p> |  <p>Cannot be mounted with power lead extending to the front.</p> |